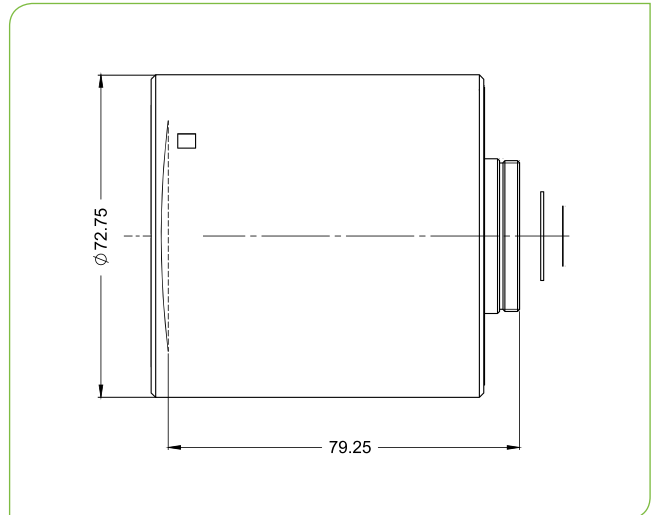


SupIR 65mm f/1.2, Fixed Athermalized 680115

TYPICAL ICD*



HD
FORMAT



LWIR | 1-FOV

HFOV	320x240	384x288	640x480	1024x768
17μ	4.8°	5.7°	9.6°	
12μ	3.4°	4.1°	6.8°	10.8°

Property	Value				
Optical					
Focal Length	65mm				
F#	1.2				
Average transmission (8-12μm)	94% (HD) / 88% (HC)				
Back Focal Length	42.07mm in air				
Mechanical					
Focus Mechanism	Fixed				
Depth of Field	175m to infinity				
Focus Range	2.5m to infinity				
Weight	490gr				
Max. Dimensions	Ø72.75mm x 79.25mm				
Environmental					
Operation Temperature	-40°C to +80°C				
Storage Temperature	-55°C to +85°C				
Sealing	IP 67 front element only				
Configurations	Weight (gr)	Dimensions	BWD**	Thread	Coating
680115-001	490	Ø72.75mm x 79.25mm	9.7	M34x0.5	HD
680115-002					HC

* The ICD drawing provided here is primarily a representation and may not accurately reflect the product's actual dimensions and specifications. For precise integration specifications contact your local sales representative.

** The BWD value is calculated for a unique detector setup with varying sealing windows in terms of thickness and material. For more details, contact your local sales representative.